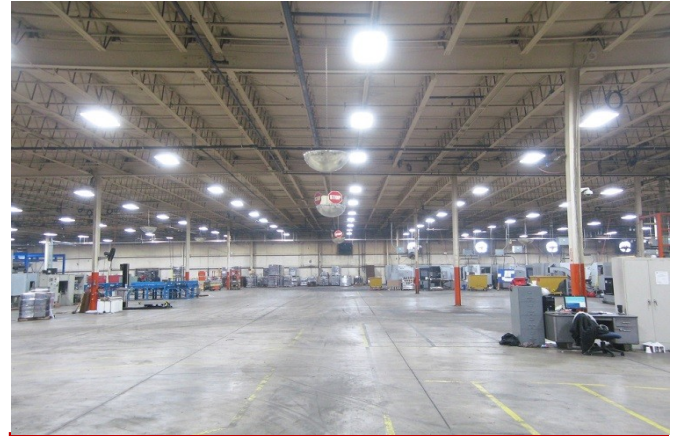


LED H1 Series Linear High Bay



Application: Commercial; Industrial; Warehouse; Retail; supermarket; gym or any other high ceiling location



FEATURE

- Up to 70% in energy savings
- Standard frosted lens for glare control
- White painted all metal frame
- Lightweight module design
- 0-10V dimming
- Damp Location rated

OPTION

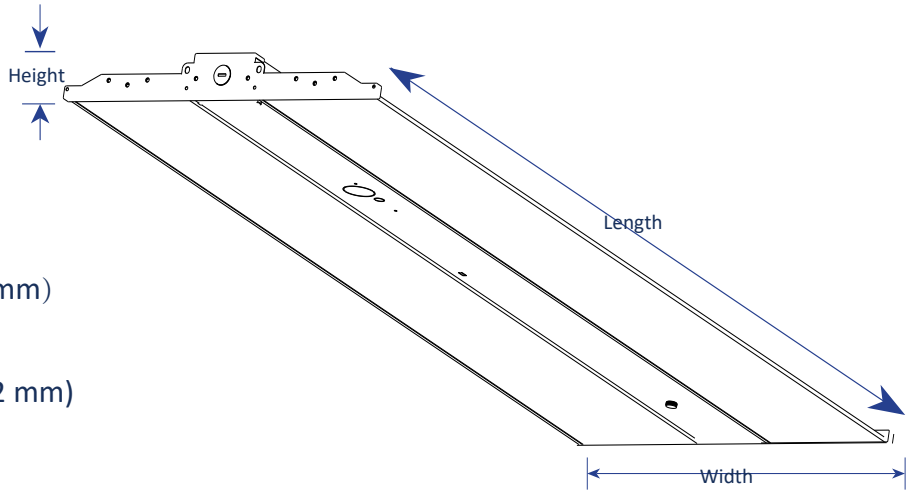
- Emergency Back-up available
- Motion Sensor option available

Specifications		
Model No.	HYA-LHB1-2FT150W-50K	HYA-LHB1-4FT200W-50K
Power:	150W	200W
Input Voltage:	AC100-277V	
Luminous Flux:	19,500	26,000
Efficacy:	130 lm/W	
Power Factor:	>0.9	
THD:	<10%	
CCT:	5000K	
CRI:	>80	
Working Life:	>50,000 hours	
Working Temperature:	-4°F to 130°F	
DLC Listing	DLC Premium	DLC Premium
Product Size:	24.69" x 15.74" x 1.65"	47.51" x 15.74" x 1.65"
Qty/Master Pack	2	2
Master Pack Size:	28.4"x19.1"x5.7"	51.37"x19.1"x5.7"
Master Pack Weight	19.8 lbs	35.2 lbs

Ordering Guide

Model No: HYA-LHB1-(X)FT(XXX)W-50K				
Company Code	Product	Length	Watt	C.C.T.
HYA	LHB1: H1 Series Linear High Bay	2FT	150W	50K: 5000K
		4FT	200W	

DIMENSION



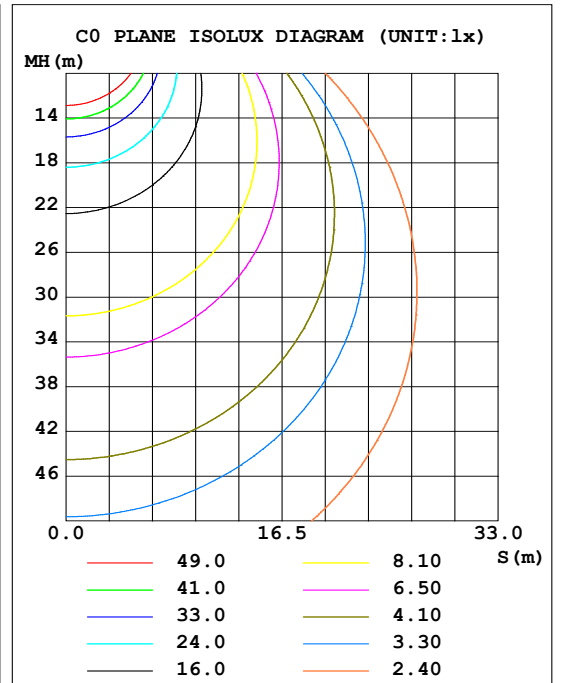
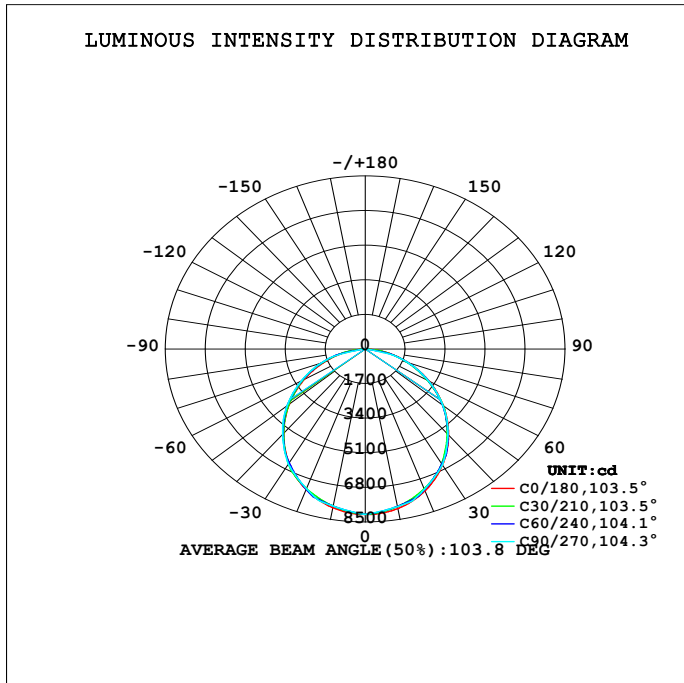
Length x Width x Height:

2FT 150W:
24.69" x 15.74" x 1.65" (627x400x42mm)

4FT 200W:
47.51" x 15.74" x 1.65" (1207x400x42 mm)

LIGHT DISTRIBUTION

2FT 150W



4FT 200W

